

# RF-12P1N8AWB00

Order No.: 1607804



<http://eshop.phoenixcontact.de/phoenix/treeViewClick.do?UID=1607804>

Commercial data	
EAN	4046356174978
Pack	40 pcs.
Customs tariff	85366990
Weight/Piece	0.030965 KG
Catalog page information	Page 55 (PC-2009)

### Product notes

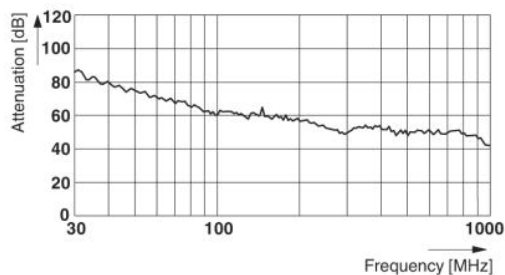
WEEE/RoHS-compliant since:  
01/01/2003



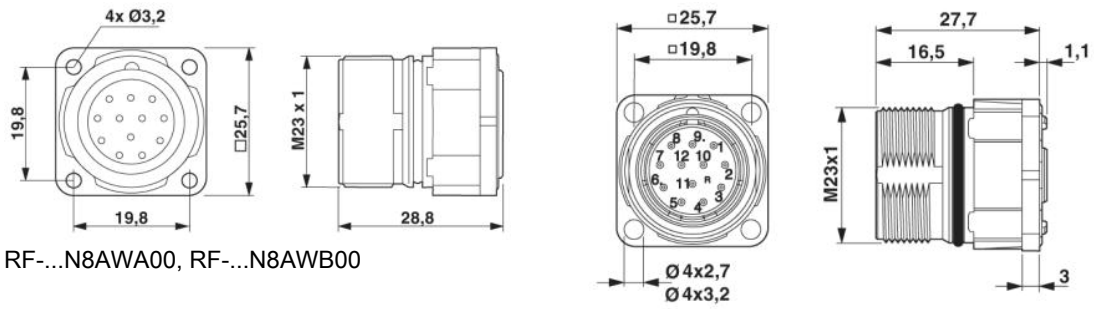
<http://www.download.phoenixcontact.com>  
Please note that the data given here has been taken from the online catalog. For comprehensive information and data, please refer to the user documentation. The General Terms and Conditions of Use apply to Internet downloads.

## Diagrams/Drawings

### Diagram

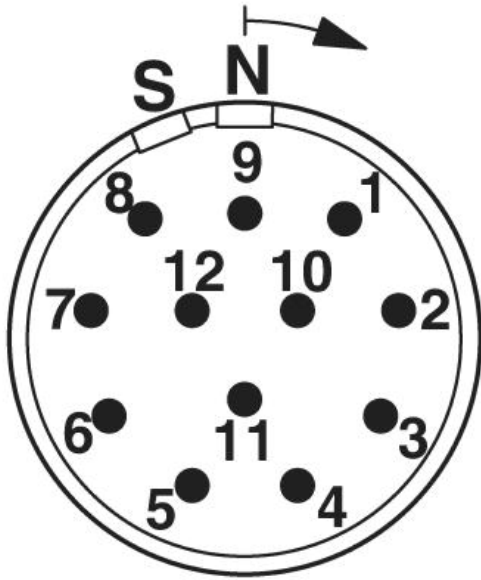


Dimensioned drawing



RF-...N8AWA00, RF-...N8AWB00

Schematic diagram



**Address**

PHOENIX CONTACT Inc., USA  
586 Fulling Mill Road  
Middletown, PA 17057, USA  
Phone (800) 888-7388  
Fax (717) 944-1625  
<http://www.phoenixcon.com>



© 2010 Phoenix Contact  
Technical modifications reserved;